



**AUR'EL**  
AUTOMATION

## VS2025 SCREEN PRINTER



High Precision screen printer for large substrates.  
Printing area up to 800 x 600 mm.  
Special fixture for flexible substrates.  
Roll-to-Roll automation.



MICROTEST  
Tél. : + 33 (0)4.90.40.60.90  
Email : [microtest@microtest-semi.com](mailto:microtest@microtest-semi.com)  
Web : [www.microtest-semi.com](http://www.microtest-semi.com)

## STANDARD FEAUTERS

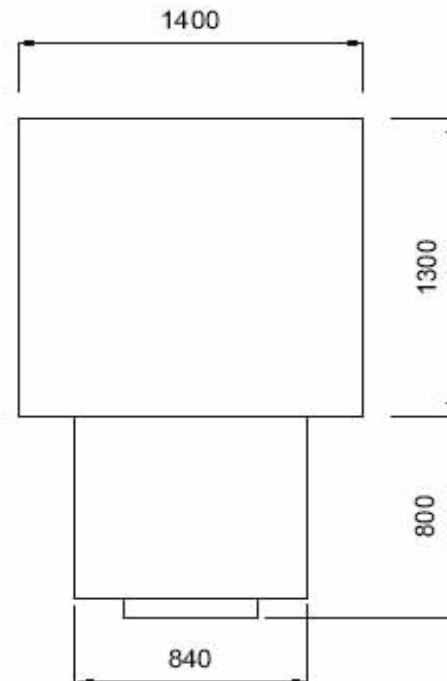
- Double squeegee head for the use of metal squeegees or rubber squeegees.
- Squeegee drive actuator with DC motor and very smooth movement of the printing head.
- Printing mode: Contact, Off Contact, Single Print, Double Print, Print & Flood, Delay after Print.
- High precision and repeatability for fine-pitch and fine-line printing.
- Motorized squeegee with programmable printing pressure and down stop.
- X-Y-q adjustments by centesimal micrometers.
- Motorized and programmable screen lift movement (Z axis) for the function "slow snap-off" very important on fine line printing.
- PC control, Windows SW with menu programming of all printing parameters, diagnostic, data storage.
- Screen holder and printing head lift for easy set up and cleaning.



PRINTING HEADS

## OPTIONS

- Vacuum fixture for thin foils hold down
- Holes metallization or holes filling
- Clima control
- Vision system
- Automatic stencil cleaning
- PCB or foil cleaning station
- Roll-to-Roll printing
- Automatic handling system



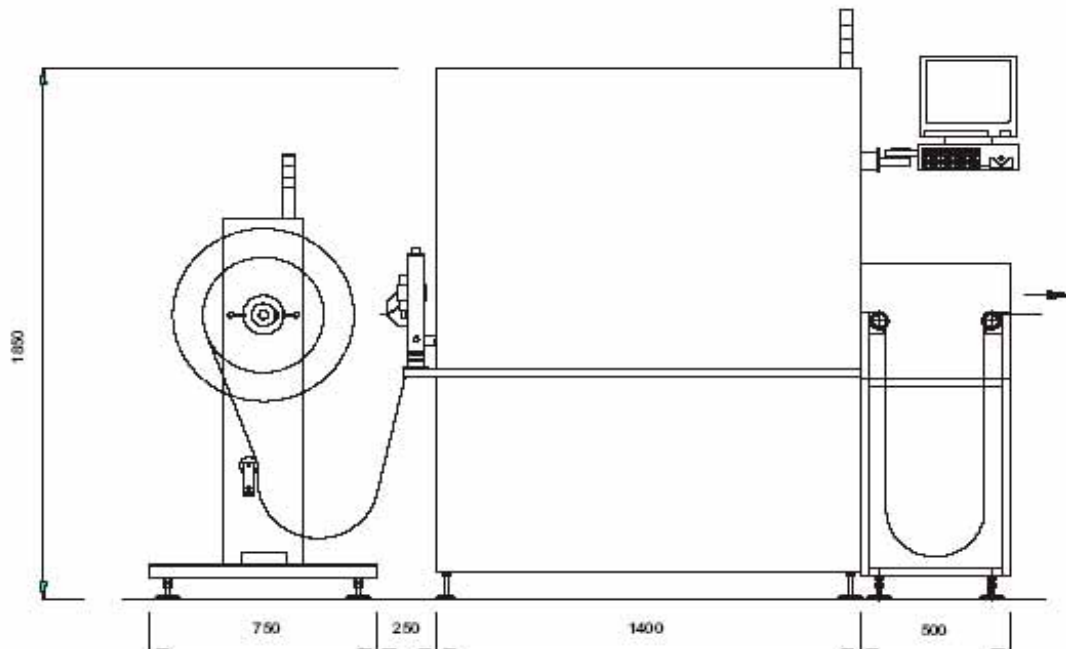
# VS2025 SCREEN PRINTER

## SPECIFICATIONS

Print Area	790 x 600 mm (Max)
Printing Stroke	840 mm
Max Squeegee width	620 mm
Screen size	1 000 x 850 mm O.D.
Work holder table size	840 x 640 mm
Vacuum area	820 x 620 mm
Carriage Repeatable	0,025 mm
X - Y Adjustment	12,5 mm
Z Adjustment (Screen Height)	± 6 mm
θ Adjustment (Rotation)	± 3°
Squeegee Speed	0 ÷ 300 mm/s
Squeegee Pressure	1 ÷ 16 kg
Height with cover	1 880 mm
Height to substrate	900 mm
Approx. Weight	600 kg
Compressed air	5 bar 100 NI/min
Power	400V 1000 W



PC CONTROL



MICROTTEST  
Tél. : + 33 (0)4.90.40.60.90  
Email : [microtest@microtest-semi.com](mailto:microtest@microtest-semi.com)  
Web : [www.microtest-semi.com](http://www.microtest-semi.com)



## ROLL-TO-ROLL LINE

AUREL Automation supply R2R line for flexible substrates used for RFID, Smart cards and lables, FPC, OLED, Heaters, Plastic PV, Fuel cell, Sensors.

The lines can integrate Screen-Stencil Printers, Ink-jet, Laser, Pick&Place, Die-Bonding, Ovens for Drying-Curing-Reflow.



Specifications are subject to change without prior notice.

Printed in Italy by Edil Faenza 40C1107

**AUREL AUTOMATION S.p.A.** • Via Foro del Tigli, 4 • 47015 MODIGLIANA (FC) • ITALY • Tel. +39.0546.941124 • Fax +39.0546.941660  
[www.aurelautomation.com](http://www.aurelautomation.com) - [automation@aurelautomation.com](mailto:automation@aurelautomation.com)



**MICROTEST**  
Tél. : + 33 (0)4.90.40.60.90  
Email : [microtest@microtest-semi.com](mailto:microtest@microtest-semi.com)  
Web : [www.microtest-semi.com](http://www.microtest-semi.com)